

# CDC925

## 133-MHz CLOCK SYNTHESIZER/DRIVER FOR PC MOTHERBOARDS WITH 3-STATE OUTPUTS

SCAS633 – JULY 28, 1999

- Supports Pentium III™ Class Motherboards
- Uses a 14.318-MHz Crystal Input to Generate Multiple Output Frequencies
- Includes Spread Spectrum Clocking (SSC), 0.34% Downspread for Reduced EMI Performance
- Power Management Control Terminals
- Low Output Skew and Jitter for Clock Distribution
- 2.5-V and 3.3-V Supplies
- Generates the Following Clocks:
  - 4 CPU (2.5 V, 100/133 MHz)
  - 7 PCI (3.3 V, 33.3 MHz)
  - 1 PCI\_F (Free Running, 3.3 V, 33.3 MHz)
  - 2 CPU/2 (2.5 V, 50/66 MHz)
  - 3 APIC (2.5 V, 16.67 MHz)
  - 4 3V66 (3.3 V, 66 MHz)
  - 2 REF (3.3 V, 14.318 MHz)
  - 1 48MHz (3.3 V, 48 MHz)
- Packaged in 56-Pin SSOP Package
- Designed for Use with TI's Direct Rambus™ Clock Generators (CDCR81, CDCR82, CDCR83)

### description

The CDC925 is a clock synthesizer/driver that generates system clocks necessary to support Intel Pentium III systems on CPU, CPU\_DIV2, 3V66, PCI, APIC, 48MHz, and REF clock signals.

All output frequencies are generated from a 14.318-MHz crystal input. A reference clock input instead of a crystal can be provided at the XIN input. Two phase-locked loops (PLLs) are used, one to generate the host frequencies and the other to generate the 48-MHz clock frequency. On-chip loop filters and internal feedback loops eliminate the need for external components.

The host and PCI clock outputs provide low-skew and low-jitter clock signals for reliable clock operation. All outputs have 3-state capability, which can be selected via control inputs SEL0, SEL1, and SEL133/100.

The outputs are either 3.3-V or 2.5-V single-ended CMOS buffers. With a logic high-level on the PWR\_DWN terminal, the device operates normally, but when a logical low-level input is applied, the device powers down completely, with the outputs in a low-level output state. When a high-level is applied to the PCI\_STOP or CPU\_STOP, the outputs operate normally. With a low-level applied to the PCI\_STOP or CPU\_STOP terminals, the PCI or CPU and 3V66 outputs, respectively, are held in a low-level state.

The CPU bus can operate at 100 MHz or 133 MHz. Output frequency selection is done with corresponding setting for SEL133/100 control input. The PCI bus frequency is fixed to 33MHz.

DL PACKAGE  
(TOP VIEW)

	1		56	
GND				V <sub>DD</sub> 2.5V
REF0	2		55	APIC2
REF1	3		54	APIC1
V <sub>DD</sub> 3.3V	4		53	APIC0
XIN	5		52	GND
XOUT	6		51	V <sub>DD</sub> 2.5V
GND	7		50	CPU_DIV2(1)
PCI_F	8		49	CPU_DIV2(0)
PCI1	9		48	GND
V <sub>DD</sub> 3.3V	10		47	V <sub>DD</sub> 2.5V
PCI2	11		46	CPU3
PCI3	12		45	CPU2
GND	13		44	GND
PCI4	14		43	V <sub>DD</sub> 2.5V
PCI5	15		42	CPU1
V <sub>DD</sub> 3.3V	16		41	CPU0
PCI6	17		40	GND
PCI7	18		39	V <sub>DD</sub> 3.3V
GND	19		38	GND
GND	20		37	<u>PCI_STOP</u>
3V66(0)	21		36	<u>CPU_STOP</u>
3V66(1)	22		35	<u>PWR_DWN</u>
V <sub>DD</sub> 3.3V	23		34	<u>SPREAD</u>
GND	24		33	SEL1
3V66(2)	25		32	SEL0
3V66(3)	26		31	V <sub>DD</sub> 3.3V
V <sub>DD</sub> 3.3V	27		30	48MHz
SEL133/100	28		29	GND



Please be aware that an important notice concerning availability, standard warranty, and use in critical applications of Texas Instruments semiconductor products and disclaimers thereto appears at the end of this data sheet.

Intel and Pentium III are trademarks of Intel Corporation.  
Direct Rambus and Rambus are trademarks of Rambus Inc.

PRODUCTION DATA information is current as of publication date. Products conform to specifications per the terms of Texas Instruments standard warranty. Production processing does not necessarily include testing of all parameters.



POST OFFICE BOX 655303 • DALLAS, TEXAS 75265

Copyright © 1999, Texas Instruments Incorporated

# CDC925

## 133-MHz CLOCK SYNTHESIZER/DRIVER FOR PC MOTHERBOARDS

### WITH 3-STATE OUTPUTS

SCAS633 – JULY 28, 1999

#### description (continued)

Since the CDC925 is based on PLL circuitry, it requires a stabilization time to achieve phase lock of the PLL. This stabilization time is required after power up or after changes to the SEL inputs are made. With use of an external reference clock, this signal must be fixed-frequency and fixed-phase before the stabilization time starts.

#### function tables

SELECT FUNCTIONS

INPUTS			OUTPUTS							FUNCTION	
SEL133/ 100	SEL1	SEL0	CPU	CPU_DIV2	3V66	PCI, PCI_F	48MHz	REF	APIC		
L	L	L	Hi-Z	Hi-Z	Hi-Z	Hi-Z	Hi-Z	Hi-Z	Hi-Z	Hi-Z	3-state
L	L	H	N/A	N/A	N/A	N/A	N/A	N/A	N/A	N/A	Reserved
L	H	L	100 MHz	50 MHz	66 MHz	33 MHz	Hi-Z	14.318 MHz	16.67 MHz		48-MHz PLL off
L	H	H	100 MHz	50 MHz	66 MHz	33 MHz	48 MHz	14.318 MHz	16.67 MHz		48-MHz PLL on
H	L	L	TCLK/2	TCLK/4	TCLK/4	TCLK/8	TCLK/2	TCLK	TCLK/16		Test
H	L	H	N/A	N/A	N/A	N/A	N/A	N/A	N/A	N/A	Reserved
H	H	L	133 MHz	66 MHz	66 MHz	33 MHz	Hi-Z	14.318 MHz	16.67 MHz		48-MHz PLL off
H	H	H	133 MHz	66 MHz	66 MHz	33 MHz	48 MHz	14.318 MHz	16.67 MHz		48-MHz PLL on

ENABLE FUNCTIONS

INPUTS			OUTPUTS							INTERNAL	
CPU_STOP	PWR_DWN	PCI_STOP	CPU	CPU_DIV2	APIC	3V66	PCI	PCI_F	REF, 48MHz	Crystal	VCOs
X	L	X	L	L	L	L	L	L	L	Off	Off
L	H	L	L	On	On	L	L	On	On	On	On
L	H	H	L	On	On	L	On	On	On	On	On
H	H	L	On	On	On	On	L	On	On	On	On
H	H	H	On	On	On	On	On	On	On	On	On

OUTPUT BUFFER SPECIFICATIONS

BUFFER NAME	V <sub>DD</sub> RANGE (V)	IMPEDANCE (Ω)	BUFFER TYPE
CPU, CPU_DIV2, APIC	2.375 – 2.625	13.5 – 45	TYPE 1
48MHz, REF	3.135 – 3.465	20 – 60	TYPE 3
PCI, PCI_F, 3V66	3.135 – 3.465	12 – 55	TYPE 5

CDC925  
**133-MHz CLOCK SYNTHESIZER/DRIVER FOR PC MOTHERBOARDS  
 WITH 3-STATE OUTPUTS**

SCAS633 – JULY 28, 1999

**Terminal Functions**

TERMINAL NAME		NO.	I/O	DESCRIPTION
3V66 [0–3]	21, 22, 25, 26		O	3.3 V, Type 5, 66-MHz clock outputs
48MHz	30		O	3.3 V, Type 3, 48-MHz clock output
APIC [0–2]	53, 54, 55		O	2.5 V, Type 1, APIC clock outputs
CPU [0–3]	41, 42, 45, 46		O	2.5 V, Type 1, CPU clock outputs
CPU_DIV2 [0–1]	49, 50		O	2.5 V, Type 1, CPU_DIV2 clock outputs
CPU_STOP	36		I	Disables CPU clock to low state
GND	1, 7, 13, 19, 20, 24, 29, 38, 40, 44, 48, 52			Ground
PCI [1–7]	9, 11, 12, 14, 15, 17, 18		O	3.3 V, Type 5, 33-MHz PCI clock outputs
PCI_F	8		O	Free-running 3.3-V, Type 5, 33-MHz PCI clock output
PCI_STOP	37		I	Disables PCI clock to low state
PWR_DWN	35		I	Power down for complete device with outputs forced low
REF0, REF1	2, 3		O	3.3 V, Type 3, 14.318-MHz reference clock output
SEL0, SEL1	32, 33		I	LVTTL level logic select terminals for function selection
SEL133/100	28		I	LVTTL level logic select pins for enabling 100/133 MHz
SPREAD	34		I	Disables SSC function
V <sub>DD</sub> 3.3V	4, 10, 16, 23, 27, 31, 39			Power for the 3V66, 48MHz, PCI, REF outputs and CORE logic
V <sub>DD</sub> 2.5V	43, 47, 51, 56			Power for CPU and APIC outputs
XIN	5		I	Crystal input – 14.318 MHz
XOUT	6		O	Crystal output – 14.318 MHz

# CDC925 133-MHz CLOCK SYNTHESIZER/DRIVER FOR PC MOTHERBOARDS WITH 3-STATE OUTPUTS

SCAS633 – JULY 28, 1999

## spread spectrum clock (SSC) implementation for CDC925

Simultaneously switching at fixed frequency generates a significant power peak at the selected frequency, which in turn will cause EMI disturbance to the environment. The purpose of the internal frequency modulation of the CPU-PLL allows to distribute the energy to many different frequencies which reduces the power peak. A typical characteristic for a single frequency spectrum and a frequency modulated spectrum is shown in Figure 1.

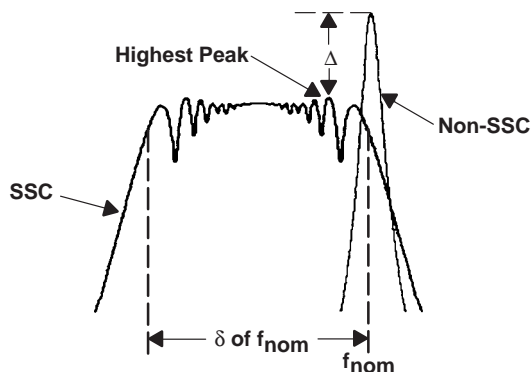


Figure 1. Frequency Power Spectrum With and Without the Use of SSC

The modulated spectrum has its distribution left hand to the single frequency spectrum which indicates a “down-spread modulation”.

The peak reduction depends on the modulation scheme and modulation profile. System performance and timing requirements are the limiting factors for actual design implementations. The implementation was driven to keep the average clock frequency closed to its upper specification limit. The modulation amount was set to approximately  $-0.34\%$  (compared to  $-0.5\%$  on the CDC924).

In order to allow a downstream PLL to follow the frequency modulated signal, the bandwidth of the modulation signal is limited in order to minimize SSC induced tracking skew jitter. The ideal modulation profile used for CDC925 is shown in Figure 2.

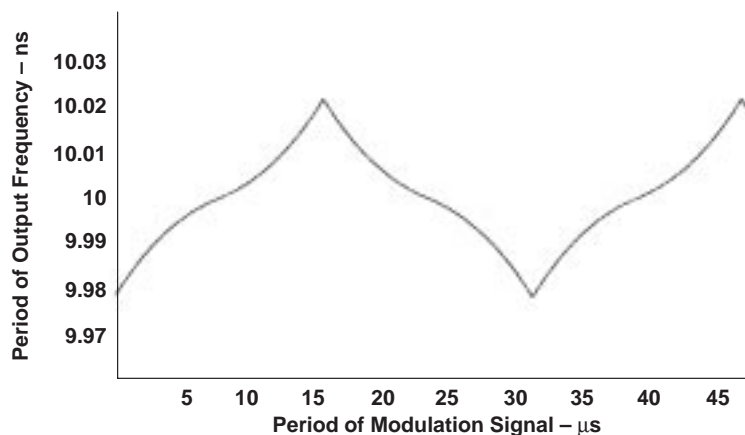


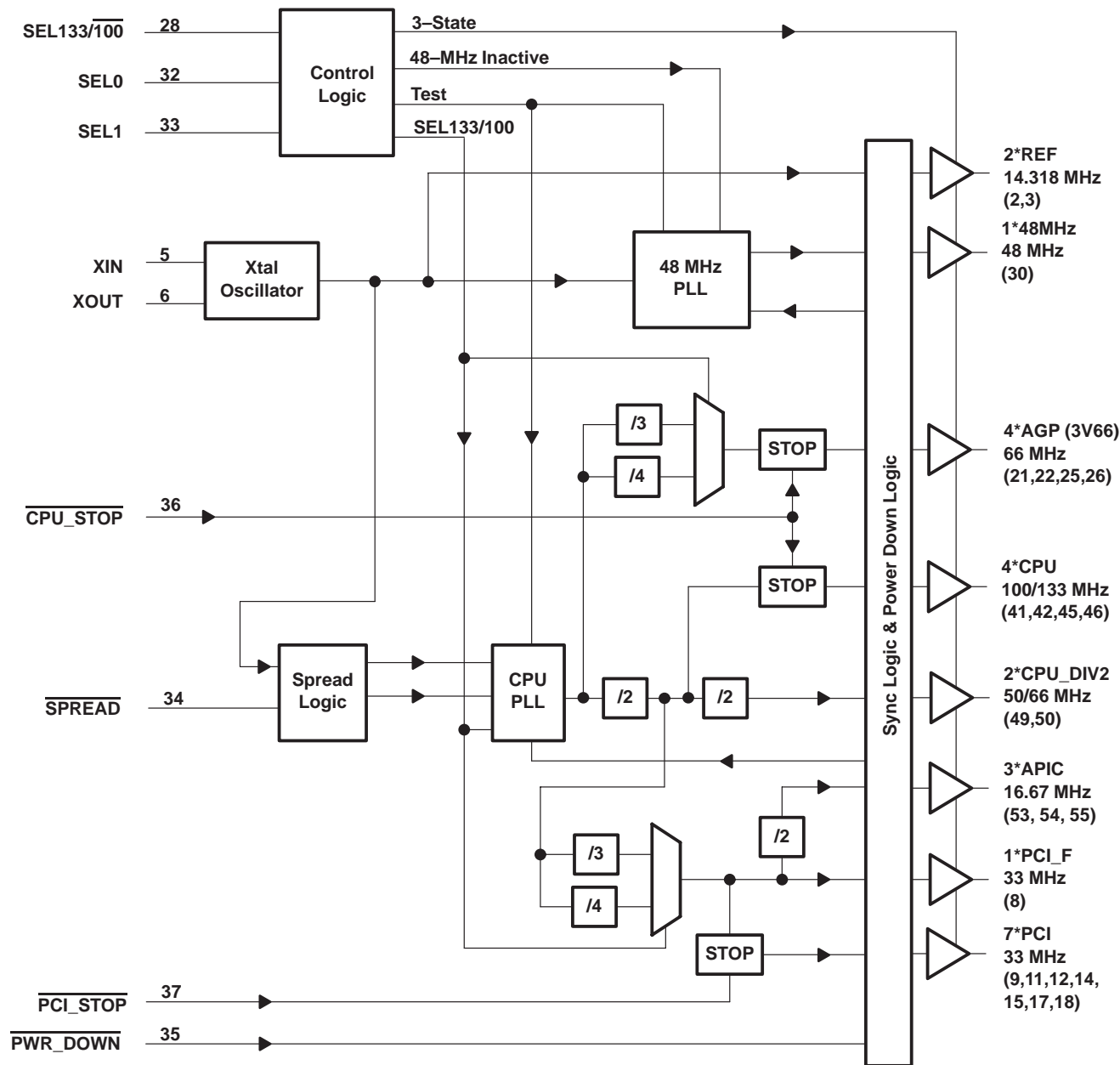
Figure 2. SSC Modulation Profile

# CDC925

## 133-MHz CLOCK SYNTHESIZER/DRIVER FOR PC MOTHERBOARDS WITH 3-STATE OUTPUTS

SCAS633 – JULY 28, 1999

### functional block diagram



# CDC925

## 133-MHz CLOCK SYNTHESIZER/DRIVER FOR PC MOTHERBOARDS

### WITH 3-STATE OUTPUTS

SCAS633 – JULY 28, 1999

#### absolute maximum ratings over operating free-air temperature range (unless otherwise noted)†

Supply voltage range, $V_{DD}$	–0.5 V to 4.6 V
Input voltage range, $V_I$ (see Note 1)	–0.5 V to 4.6 V
Voltage range applied to any output in the high-impedance state or power-off state, $V_O$ (see Note 1)	–0.5 V to $V_{DD} + 0.5$ V
Current into any output in the low state, $I_O$	$2 \times I_{OL}$
Input clamp current, $I_{IK}$ ( $V_I < 0$ )	–18 mA
Output clamp current, $I_{OK}$ ( $V_O < 0$ )	–50 mA
Operating free-air temperature range, $T_A$	–0°C to 85°C
Storage temperature range, $T_{stg}$	–65°C to 150°C
Lead temperature 1,6 mm (1/16 inch) from case for 10 seconds	260°C

† Stresses beyond those listed under “absolute maximum ratings” may cause permanent damage to the device. These are stress ratings only, and functional operation of the device at these or any other conditions beyond those indicated under “recommended operating conditions” is not implied. Exposure to absolute-maximum-rated conditions for extended periods may affect device reliability.

NOTE 1: The input and output negative-voltage ratings may be exceeded if the input and output clamp-current ratings are observed.

DISSIPATION RATING TABLE

PACKAGE	$T_A \leq 25^\circ\text{C}$ POWER RATNG	DERATING FACTORT ABOVE $T_A = 25^\circ\text{C}$	$T_A = 70^\circ\text{C}$ POWER RATING	$T_A = 85^\circ\text{C}$ POWER RATING
DL	1558.6 mW	12.468 mW/°C	997.5 mW	810.52 mW

† This is the inverse of the traditional junction-to-case thermal resistance ( $R_{\theta JA}$ ) and uses a board-mounted device at 80.2°C/W.

#### recommended operating conditions (see Note 2)

		MIN	NOM†	MAX	UNIT
Supply voltage, $V_{DD}$	3.3 V	3.135		3.465	V
	2.5 V	2.375		2.625	
High-level input voltage, $V_{IH}$		2		$V_{DD} + 0.3$ V	V
Low-level input voltage, $V_{IL}$		GND – 0.3 V		0.8	V
Input voltage, $V_I$		0		$V_{DD}$	V
High-level output current, $I_{OH}$	CPUx, CPU_DIV2x			–12	mA
	APICx			–12	
	48MHz, REFx			–14	
	PCIx, PCI_F, 3V66x			–18	
Low-level output current, $I_{OL}$	CPUx, CPU_DIV2x			12	mA
	APICx			12	
	48MHz, REFx			9	
	PCIx, PCI_F, 3V66x			12	
Reference frequency, $f_{(XIN)}^\ddagger$	Test mode		130		MHz
Crystal frequency, $f_{(XTAL)}^\S$	Normal mode	13.8	14.318	14.8	MHz
Operating free-air temperature, $T_A$		0		85	°C

NOTE 2: Unused inputs must be held high or low to prevent them from floating.

† All nominal values are measured at their respective nominal  $V_{DD}$  values.

‡ Reference frequency is a test clock driven on the XIN input during the device test mode and normal mode. In test mode, XIN can be driven externally up to  $f_{(XIN)} = 130$  MHz. If XIN is driven externally, XOUT is floating.

§ This is a series fundamental crystal with  $f_0 = 14.31818$  MHz.



# CDC925

## 133-MHz CLOCK SYNTHESIZER/DRIVER FOR PC MOTHERBOARDS WITH 3-STATE OUTPUTS

SCAS633 – JULY 28, 1999

**electrical characteristics over recommended operating free-air temperature range (unless otherwise noted)**

PARAMETER		TEST CONDITIONS		MIN	TYP†	MAX	UNIT
V <sub>IK</sub>	Input clamp voltage	V <sub>DD</sub> = 3.135 V, I <sub>I</sub> = -18 mA				-1.2	V
R <sub>I</sub>	Input resistance	XIN-XOUT	V <sub>DD</sub> = 3.465 V, V <sub>I</sub> = V <sub>DD</sub> - 0.5 V	80		350	kΩ
I <sub>IH</sub>	High-level input current	XOUT	V <sub>DD</sub> = 3.135 V, V <sub>I</sub> = V <sub>DD</sub> - 0.5 V		20	50	mA
		SEL0, SEL1, CPU_STOP, PCI_STOP, SPREAD	V <sub>DD</sub> = 3.465 V, V <sub>I</sub> = V <sub>DD</sub>		<10	10	μA
		PWR_DWN	V <sub>DD</sub> = 3.465 V, V <sub>I</sub> = V <sub>DD</sub>		<10	10	μA
		SEL133/100	V <sub>DD</sub> = 3.465 V, V <sub>I</sub> = V <sub>DD</sub>		<10	10	μA
I <sub>IL</sub>	Low-level input current	XOUT	V <sub>DD</sub> = 3.135 V, V <sub>O</sub> = 0 V		-2	-5	mA
		SEL0, SEL1, CPU_STOP, PCI_STOP, SPREAD	V <sub>DD</sub> = 3.465 V, V <sub>I</sub> = GND		<10	-10	μA
		PWR_DWN	V <sub>DD</sub> = 3.465 V, V <sub>I</sub> = GND		<10	-10	μA
		SEL133/100	V <sub>DD</sub> = 3.465 V, V <sub>I</sub> = GND		<10	-10	μA
I <sub>OZ</sub>	High-impedance-state output current	V <sub>DD</sub>   = max, V <sub>O</sub> = V <sub>DD</sub> or GND				±10	μA
I <sub>DD</sub>	Supply current	V <sub>DD</sub> = 2.625 V, All outputs = low			<20	100	μA
		V <sub>DD</sub> = 2.625 V, All outputs = high		V <sub>DDX</sub> = 2.5 V,	<20	100	
		V <sub>DD</sub> = 3.465 V, All outputs = low		PWR_DWN = low,	<50	200	
		V <sub>DD</sub> = 3.465 V, All outputs = high			12	35	mA
I <sub>DD(Z)</sub>	High-impedance-state supply current	V <sub>DD</sub> = 2.625 V				1.4	mA
		V <sub>DD</sub> = 3.465 V				28	
Dynamic supply current		C <sub>L</sub> = 20 pF, CPU = 133 MHz	V <sub>DD</sub> = 3.465 V		114	146	mA
			V <sub>DD</sub> = 2.625 V		52	70	
C <sub>I</sub>	Input capacitance	V <sub>DD</sub> = 3.3 V, V <sub>I</sub> = V <sub>DD</sub> or GND		3.3		5.8	pF
Crystal terminal capacitance		V <sub>DD</sub> = 3.3 V, V <sub>I</sub> = 0.3 V		18	18.5	22.5	pF

† All typical values are measured at their respective nominal V<sub>DD</sub> values.



**CDC925**  
**133-MHz CLOCK SYNTHESIZER/DRIVER FOR PC MOTHERBOARDS**  
**WITH 3-STATE OUTPUTS**

SCAS633 – JULY 28, 1999

**electrical characteristics over recommended operating free-air temperature range (unless otherwise noted) (continued)**

**CPUx, CPU\_DIV2x, APICx (Type 1)**

PARAMETER		TEST CONDITIONS	MIN	TYP†	MAX	UNIT
VOH	High-level output voltage	VDD = min to max, IOH = -1 mA	VDD - 0.1 V			V
		VDD = 2.375 V, IOH = -12 mA	2			
VOL	Low-level output voltage	VDD = min to max, IOL = 1 mA			0.1	V
		VDD = 2.375 V, IOL = 12 mA		0.18	0.4	
IOH	High-level output current	VDD = 2.375 V, VO = 1 V	-26	-42		mA
		VDD = 2.5 V, VO = 1.25 V		-46		
		VDD = 2.625 V, VO = 2.375 V		-16	-27	
IOL	Low-level output current	VDD = 2.375 V, VO = 1.2 V	27	57		mA
		VDD = 2.5 V, VO = 1.25 V		63		
		VDD = 2.625 V, VO = 0.3 V		23	43	
CO	Output capacitance	VDD = 3.3 V, VO = VDD or GND	6		8.5	pF
ZO	Output impedance	High state VO = 0.5 VDD, VO/IOH	13.5	27	45	Ω
		Low state VO = 0.5 VDD, VO/IOL	13.5	20	45	

† All typical values are measured at their respective nominal VDD values.

**48MHz, REFx (Type 3)**

PARAMETER		TEST CONDITIONS	MIN	TYP†	MAX	UNIT
VOH	High-level output voltage	VDD = min to max, IOH = -1 mA	VDD - 0.1 V			V
		VDD = 3.135 V, IOH = -14 mA	2.4			
VOL	Low-level output voltage	VDD = min to max, IOL = 1 mA			0.1	V
		VDD = 3.135 V, IOL = 9 mA		0.18	0.4	
IOH	High-level output current	VDD = 3.135 V, VO = 1 V	-27	-41		mA
		VDD = 3.3 V, VO = 1.65 V		-41		
		VDD = 3.465 V, VO = 3.135 V		-12	-23	
IOL	Low-level output current	VDD = 3.135 V, VO = 1.95 V	29	50		mA
		VDD = 3.3 V, VO = 1.65 V		53		
		VDD = 3.465 V, VO = 0.4 V		20	37	
CO	Output capacitance	VDD = 3.3 V, VO = VDD or GND	4.5		7	pF
ZO	Output impedance	High state VO = 0.5 VDD, VO/IOH	20	40	60	Ω
		Low state VO = 0.5 VDD, VO/IOL	20	31	60	

† All typical values are measured at their respective nominal VDD values.





**CDC925**  
**133-MHz CLOCK SYNTHESIZER/DRIVER FOR PC MOTHERBOARDS**  
**WITH 3-STATE OUTPUTS**

SCAS633 – JULY 28, 1999

**electrical characteristics over recommended operating free-air temperature range (unless otherwise noted) (continued)**

**PCIx, PCI\_F, 3V66x (Type 5)**

PARAMETER		TEST CONDITIONS	MIN	TYP†	MAX	UNIT
V <sub>OH</sub>	High-level output voltage	V <sub>DD</sub> = min to max, I <sub>OH</sub> = -1 mA	V <sub>DD</sub> - 0.1 V			V
		V <sub>DD</sub> = 3.135 V, I <sub>OH</sub> = -18 mA	2.4			
V <sub>OL</sub>	Low-level output voltage	V <sub>DD</sub> = min to max, I <sub>OL</sub> = 1 mA			0.1	V
		V <sub>DD</sub> = 3.135 V, I <sub>OL</sub> = 12 mA		0.15	0.4	
I <sub>OH</sub>	High-level output current	V <sub>DD</sub> = 3.135 V, V <sub>O</sub> = 1 V	-33	-53		mA
		V <sub>DD</sub> = 3.3 V, V <sub>O</sub> = 1.65 V		-53		
		V <sub>DD</sub> = 3.465 V, V <sub>O</sub> = 3.135 V		-16	-33	
I <sub>OL</sub>	Low-level output current	V <sub>DD</sub> = 3.135 V, V <sub>O</sub> = 1.95 V	30	67		mA
		V <sub>DD</sub> = 3.3 V, V <sub>O</sub> = 1.65 V		70		
		V <sub>DD</sub> = 3.465 V, V <sub>O</sub> = 0.4 V		27	49	
C <sub>O</sub>	Output capacitance	V <sub>DD</sub> = 3.3 V, V <sub>O</sub> = V <sub>DD</sub> or GND	4.5		7.5	pF
Z <sub>O</sub>	Output impedance	High state V <sub>O</sub> = 0.5 V <sub>DD</sub> , V <sub>O</sub> /I <sub>OH</sub>	12	31	55	Ω
		Low state V <sub>O</sub> = 0.5 V <sub>DD</sub> , V <sub>O</sub> /I <sub>OL</sub>	12	24	55	

† All typical values are measured at their respective nominal V<sub>DD</sub> values.

**switching characteristics, V<sub>DD</sub> = 3.135 V to 3.465 V, T<sub>A</sub> = 0°C to 85°C**

PARAMETER		TEST CONDITIONS	MIN	TYP	MAX	UNIT
Overshoot/undershoot			GND - 0.7 V		V <sub>DD</sub> + 0.7 V	V
Ring back			V <sub>IL</sub> - 0.1 V		V <sub>IH</sub> + 0.1 V	V
Stabilization time, $\overline{\text{PWR\_DWN}}$ to PCIx		f(CPU) = 133 MHz		0.05	3	ms
t <sub>dis3</sub>	Disable time, $\overline{\text{PWR\_DWN}}$ to PCIx	f(CPU) = 133 MHz		50		ns
Stabilization time, $\overline{\text{PWR\_DWN}}$ to CPUx		f(CPU) = 133 MHz		0.03	3	ms
t <sub>dis4</sub>	Disable time, $\overline{\text{PWR\_DWN}}$ to CPUx	f(CPU) = 133 MHz		50		ns
Stabilization time†		After SEL1, SEL0			3	ms
		After power up			3	

† Stabilization time is the time required for the integrated PLL circuit to obtain phase lock of its feedback signal to its reference signal. In order for phase lock to be obtained, a fixed-frequency, fixed-phase reference signal must be present at XIN. Until phase lock is obtained, the specifications for propagation delay and skew parameters given in the switching characteristics tables are not applicable. Stabilization time is defined as the time from when V<sub>DD</sub> achieves its nominal operating level until the output frequency is stable and operating within specification.



# CDC925

## 133-MHz CLOCK SYNTHESIZER/DRIVER FOR PC MOTHERBOARDS

### WITH 3-STATE OUTPUTS

SCAS633 – JULY 28, 1999

switching characteristics,  $V_{DD} = 2.375\text{ V to }2.625\text{ V}$ ,  $T_A = 0^\circ\text{C to }85^\circ\text{C}$  (continued)

#### CPUx

PARAMETER		FROM (INPUT)	TO (OUTPUT)	TEST CONDITIONS	MIN	TYP	MAX	UNIT	
$t_{en1}$	Output enable time	SEL133/ $\overline{100}$	CPUx	$f_{(CPU)} = 100$ or 133MHz		6	10	ns	
$t_{dis1}$	Output disable time	SEL133/ $\overline{100}$	CPUx	$f_{(CPU)} = 100$ or 133MHz		8	10	ns	
$t_c$	CPU clock period <sup>†</sup>			$f_{(CPU)} = 100$ MHz	10	10.04	10.2	ns	
				$f_{(CPU)} = 133$ MHz	7.5	7.53	7.7	ns	
Cycle to cycle jitter				$f_{(CPU)} = 100$ or 133MHz			250	ps	
Duty cycle				$f_{(CPU)} = 100$ or 133MHz	45			55	%
$t_{sk(o)}$	CPU bus skew	CPUx	CPUx	$f_{(CPU)} = 100$ or 133MHz			50	175	ps
$t_{sk(p)}$	CPU pulse skew	CPU <sub>n</sub>	CPU <sub>n</sub>	$f_{(CPU)} = 100$ or 133MHz			2.2	ns	
$t_{(off)}$	CPU clock to APIC clock offset, rising edge				1.5	2.8	4	ns	
$t_{(off)}$	CPU clock to 3V66 clock offset, rising edge				0	0.75	1.5	ns	
$t_{w1}$	Pulse duration width, high			$f_{(CPU)} = 100$ MHz	2.6	4.3	ns		
				$f_{(CPU)} = 133$ MHz	1.4	3.7			
$t_{w2}$	Pulse duration width, low			$f_{(CPU)} = 100$ MHz	2.8	4.3	ns		
				$f_{(CPU)} = 133$ MHz	1.7	4			
$t_r$	Rise time			$V_O = 0.4\text{ V to }2.0\text{ V}$	0.4	1.5	2.2	ns	
$t_f$	Fall time			$V_O = 0.4\text{ V to }2.0\text{ V}$	0.4	1.4	2	ns	

<sup>†</sup> The average over any 1- $\mu$ s period of time is greater than the minimum specified period.

#### CPU\_DIV2x

PARAMETER		FROM (INPUT)	TO (OUTPUT)	TEST CONDITIONS	MIN	TYP	MAX	UNIT	
$t_{en1}$	Output enable time	SEL133/ $\overline{100}$	CPU_DIV2x	$f_{(CPU)} = 100$ or 133MHz		6	10	ns	
$t_{dis1}$	Output disable time	SEL133/ $\overline{100}$	CPU_DIV2x	$f_{(CPU)} = 100$ or 133MHz		8	10	ns	
$t_c$	CPU_DIV2 clock period <sup>†</sup>			$f_{(CPU)} = 100$ MHz	20	20.08	20.4	ns	
				$f_{(CPU)} = 133$ MHz	15	15.06	15.3	ns	
Cycle to cycle jitter				$f_{(CPU)} = 100$ or 133MHz			250	ps	
Duty cycle				$f_{(CPU)} = 100$ or 133MHz	45			55	%
$t_{sk(o)}$	CPU_DIV2 bus skew	CPU_DIV2x	CPU_DIV2x	$f_{(CPU)} = 100$ or 133MHz			50	175	ps
$t_{sk(p)}$	CPU_DIV2 pulse skew	CPU_DIV2 <sub>n</sub>	CPU_DIV2 <sub>n</sub>	$f_{(CPU)} = 100$ or 133MHz			1.6	ns	
$t_{w1}$	Pulse duration width, high			$f_{(CPU)} = 100$ MHz	7.1	ns			
				$f_{(CPU)} = 133$ MHz	4.7				
$t_{w2}$	Pulse duration width, low			$f_{(CPU)} = 100$ MHz	7.3	8.9	ns		
				$f_{(CPU)} = 133$ MHz	5	6.6			
$t_r$	Rise time			$V_O = 0.4\text{ V to }2.0\text{ V}$	0.4	1.4	2	ns	
$t_f$	Fall time			$V_O = 0.4\text{ V to }2.0\text{ V}$	0.4	1.3	1.8	ns	

<sup>†</sup> The average over any 1- $\mu$ s period of time is greater than the minimum specified period.



**CDC925**  
**133-MHz CLOCK SYNTHESIZER/DRIVER FOR PC MOTHERBOARDS**  
**WITH 3-STATE OUTPUTS**

SCAS633 – JULY 28, 1999

**switching characteristics,  $V_{DD} = 2.375\text{ V to }2.625\text{ V}$ ,  $T_A = 0^\circ\text{C to }85^\circ\text{C}$  (continued)**

**APIC**

PARAMETER	FROM (INPUT)	TO (OUTPUT)	TEST CONDITIONS	MIN	TYP	MAX	UNIT
$t_{en1}$	Output enable time	SEL133/100	APICx	$f_{(APIC)} = 16.67\text{ MHz}$		6 10	ns
$t_{dis1}$	Output disable time	SEL133/100	APICx	$f_{(APIC)} = 16.67\text{ MHz}$		8 10	ns
$t_c$	APIC clock period <sup>†</sup>			$f_{(APIC)} = 16.67\text{ MHz}$		60 60.24 60.6	ns
	Cycle to cycle jitter			$f_{(CPU)} = 100\text{ or }133\text{ MHz}$		400	ps
	Duty cycle			$f_{(APIC)} = 16.67\text{ MHz}$		45 55	%
$t_{sk(o)}$	APIC bus skew	APICx	APICx	$f_{(APIC)} = 16.67\text{ MHz}$		30 100	ps
$t_{sk(p)}$	APIC pulse skew	APICn	APICn	$f_{(APIC)} = 16.67\text{ MHz}$		3	ns
$t_{(off)}$	APIC clock to CPU clock offset, rising edge	APICx	CPUx			-1.5 -4	ns
$t_{w1}$	Pulse duration width, high			$f_{(APIC)} = 16.67\text{ MHz}$		25.5 28	ns
$t_{w2}$	Pulse duration width, low			$f_{(APIC)} = 16.67\text{ MHz}$		25.3 29.2	ns
$t_r$	Rise time			$V_O = 0.4\text{ V to }2\text{ V}$		0.4 1.6 2.1	ns
$t_f$	Fall time			$V_O = 0.4\text{ V to }2\text{ V}$		0.4 1.2 1.7	ns

<sup>†</sup> The average over any 1- $\mu\text{s}$  period of time is greater than the minimum specified period.

**switching characteristics,  $V_{DD} = 3.135\text{ V to }3.465\text{ V}$ ,  $T_A = 0^\circ\text{C to }85^\circ\text{C}$**

**3V66**

PARAMETER	FROM (INPUT)	TO (OUTPUT)	TEST CONDITIONS	MIN	TYP	MAX	UNIT
$t_{en1}$	Output enable time	SEL133/100	3V66x	$f_{(3V66)} = 66\text{ MHz}$		6 10	ns
$t_{dis1}$	Output disable time	SEL133/100	3V66x	$f_{(3V66)} = 66\text{ MHz}$		8 10	ns
$t_c$	3V66 clock period <sup>†</sup>			$f_{(3V66)} = 66\text{ MHz}$		15 15.06 15.3	ns
	Cycle to cycle jitter			$f_{(CPU)} = 100\text{ or }133\text{ MHz}$		400	ps
	Duty cycle			$f_{(3V66)} = 66\text{ MHz}$		45 55	%
$t_{sk(o)}$	3V66 bus skew	3V66x	3V66x	$f_{(3V66)} = 66\text{ MHz}$		50 150	ps
$t_{sk(p)}$	3V66 pulse skew	3V66n	3V66n	$f_{(3V66)} = 66\text{ MHz}$		2.6	ns
$t_{(off)}$	3V66 clock to CPU clock offset	3V66x	CPUx			0 -0.75 -1.5	ns
$t_{(off)}$	3V66 clock to PCI clock offset, rising edge					1.2 2.1 3	ns
$t_{w1}$	Pulse duration width, high			$f_{(3V66)} = 66\text{ MHz}$		5.2	ns
$t_{w2}$	Pulse duration width, low			$f_{(3V66)} = 66\text{ MHz}$		5	ns
$t_r$	Rise time			$V_O = 0.4\text{ V to }2\text{ V}$		0.5 1.5 2	ns
$t_f$	Fall time			$V_O = 0.4\text{ V to }2\text{ V}$		0.5 1.5 2	ns

<sup>†</sup> The average over any 1- $\mu\text{s}$  period of time is greater than the minimum specified period.



**CDC925**  
**133-MHz CLOCK SYNTHESIZER/DRIVER FOR PC MOTHERBOARDS**  
**WITH 3-STATE OUTPUTS**

SCAS633 – JULY 28, 1999

**switching characteristics,  $V_{DD} = 3.135\text{ V}$  to  $3.465\text{ V}$ ,  $T_A = 0^\circ\text{C}$  to  $85^\circ\text{C}$  (continued)**

**48MHz**

PARAMETER	FROM (INPUT)	TO (OUTPUT)	TEST CONDITIONS	MIN	TYP	MAX	UNIT		
$t_{en1}$	Output enable time	SEL133/ $\overline{100}$	48MHz	$f_{(48\text{MHz})} = 48\text{ MHz}$		6	10	ns	
$t_{dis1}$	Output disable time	SEL133/ $\overline{100}$	48MHz	$f_{(48\text{MHz})} = 48\text{ MHz}$		8	10	ns	
$t_c$	48MHz clock period <sup>†</sup>			$f_{(48\text{MHz})} = 48\text{ MHz}$		20.5	20.83	21.1	ns
	Cycle to cycle jitter			$f_{(\text{CPU})} = 100\text{ or }133\text{ MHz}$			500	ps	
	Duty cycle			$f_{(48\text{MHz})} = 48\text{ MHz}$		45	55	%	
$t_{sk(p)}$	48MHz pulse skew	48MHz	48MHz	$f_{(48\text{MHz})} = 48\text{ MHz}$			3	ns	
$t_{w1}$	Pulse duration width, high			$f_{(48\text{MHz})} = 48\text{ MHz}$		7.8		ns	
$t_{w2}$	Pulse duration width, low			$f_{(48\text{MHz})} = 48\text{ MHz}$		7.8		ns	
$t_r$	Rise time			$V_O = 0.4\text{ V to }2\text{ V}$		1	2.1	2.8	ns
$t_f$	Fall time			$V_O = 0.4\text{ V to }2\text{ V}$		1	1.9	2.8	ns

<sup>†</sup> The average over any 1- $\mu\text{s}$  period of time is greater than the minimum specified period.

**REF**

PARAMETER	FROM (INPUT)	TO (OUTPUT)	TEST CONDITIONS	MIN	TYP	MAX	UNIT		
$t_{en1}$	Output enable time	SEL133/ $\overline{100}$	REFx	$f_{(\text{REF})} = 14.318\text{ MHz}$		6	10	ns	
$t_{dis1}$	Output disable time	SEL133/ $\overline{100}$	REFx	$f_{(\text{REF})} = 14.318\text{ MHz}$		8	10	ns	
$t_c$	REF clock period <sup>†</sup>			$f_{(\text{REF})} = 14.318\text{ MHz}$		69.84		ns	
	Cycle to cycle jitter			$f_{(\text{CPU})} = 100\text{ or }133\text{ MHz}$			700	ps	
	Duty cycle			$f_{(\text{REF})} = 14.318\text{ MHz}$		45	55	%	
$t_{sk(o)}$	REF bus skew	REFx	REFx	$f_{(\text{REF})} = 14.318\text{ MHz}$		150	250	ps	
$t_{sk(p)}$	REF pulse skew	REFn	REFn	$f_{(\text{REF})} = 14.318\text{ MHz}$			2	ns	
$t_{w1}$	Pulse duration width, high			$f_{(\text{REF})} = 14.318\text{ MHz}$		26.2	32.7	ns	
$t_{w2}$	Pulse duration width, low			$f_{(\text{REF})} = 14.318\text{ MHz}$		26.2	31.2	ns	
$t_r$	Rise time			$V_O = 0.4\text{ V to }2\text{ V}$		1	2	2.8	ns
$t_f$	Fall time			$V_O = 0.4\text{ V to }2\text{ V}$		1	1.9	2.8	ns

<sup>†</sup> The average over any 1- $\mu\text{s}$  period of time is greater than the minimum specified period.



CDC925  
**133-MHz CLOCK SYNTHESIZER/DRIVER FOR PC MOTHERBOARDS  
 WITH 3-STATE OUTPUTS**

SCAS633 – JULY 28, 1999

**switching characteristics,  $V_{DD} = 3.135\text{ V to }3.465\text{ V}$ ,  $T_A = 0^\circ\text{C to }85^\circ\text{C}$  (continued)**

**PCI, PCI\_F**

PARAMETER	FROM (INPUT)	TO (OUTPUT)	TEST CONDITIONS	MIN	TYP	MAX	UNIT
$t_{en1}$	Output enable time	SEL133/100	PCIx	$f_{(PCI)} = 33\text{ MHz}$		6 10	ns
$t_{dis1}$	Output disable time	SEL133/100	PCIx	$f_{(PCI)} = 33\text{ MHz}$		8 10	ns
$t_c$	PCIx clock period <sup>†</sup>			$f_{(PCI)} = 33\text{ MHz}$		30 30.12 30.5	ns
	Cycle to cycle jitter			$f_{(CPU)} = 100\text{ or }133\text{ MHz}$		300	ps
	Duty cycle			$f_{(PCI)} = 33\text{ MHz}$		45 55	%
$t_{sk(o)}$	PCIx bus skew	PCIx	PCIx	$f_{(PCI)} = 33\text{ MHz}$		70 300	ps
$t_{sk(p)}$	PCIx pulse skew	PCIn	PCIn	$f_{(PCI)} = 33\text{ MHz}$		4	ns
$t_{(off)}$	PCIx clock to 3V66 clock offset			-1.2		-3	ns
$t_{w1}$	Pulse duration width, high			$f_{(PCI)} = 33\text{ MHz}$		12	ns
$t_{w2}$	Pulse duration width, low			$f_{(PCI)} = 33\text{ MHz}$		12	ns
$t_r$	Rise time			$V_O = 0.4\text{ V to }2\text{ V}$		0.5 1.6 2	ns
$t_f$	Fall time			$V_O = 0.4\text{ V to }2\text{ V}$		0.5 1.5 2	ns

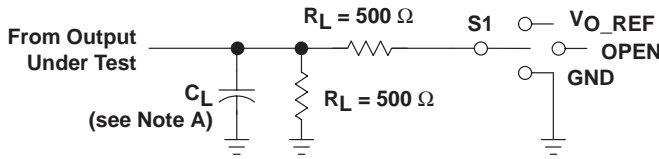
<sup>†</sup> The average over any 1- $\mu\text{s}$  period of time is greater than the minimum specified period.



**CDC925**  
**133-MHz CLOCK SYNTHESIZER/DRIVER FOR PC MOTHERBOARDS**  
**WITH 3-STATE OUTPUTS**

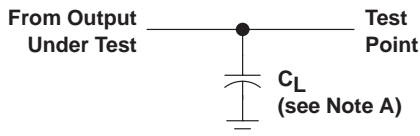
SCAS633 – JULY 28, 1999

**PARAMETER MEASUREMENT INFORMATION**

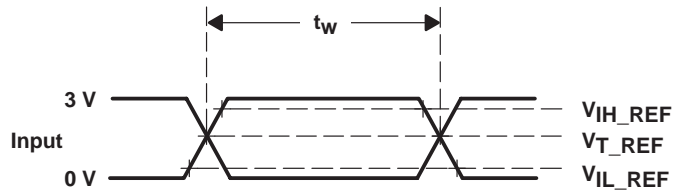


TEST	S1
tPLH/tPHL	Open
tPLZ/tPZL	VO_REF
tPHZ/tPZH	GND

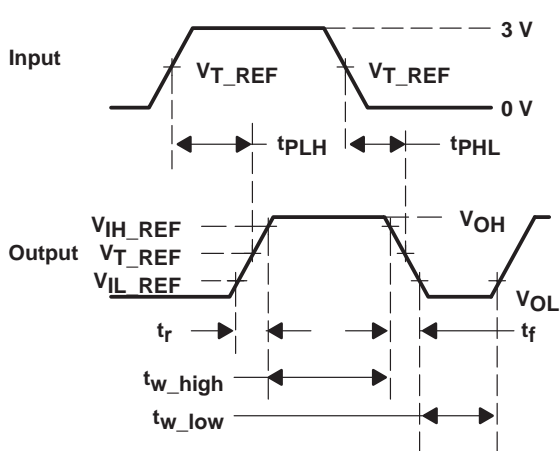
**LOAD CIRCUIT for t<sub>pd</sub> and t<sub>sk</sub>**



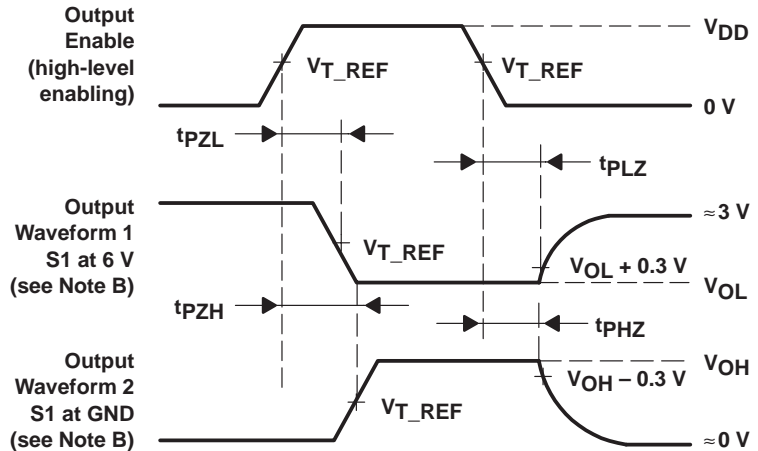
**LOAD CIRCUIT FOR t<sub>r</sub> and t<sub>f</sub>**



**VOLTAGE WAVEFORMS**



**VOLTAGE WAVEFORMS**



**VOLTAGE WAVEFORMS**

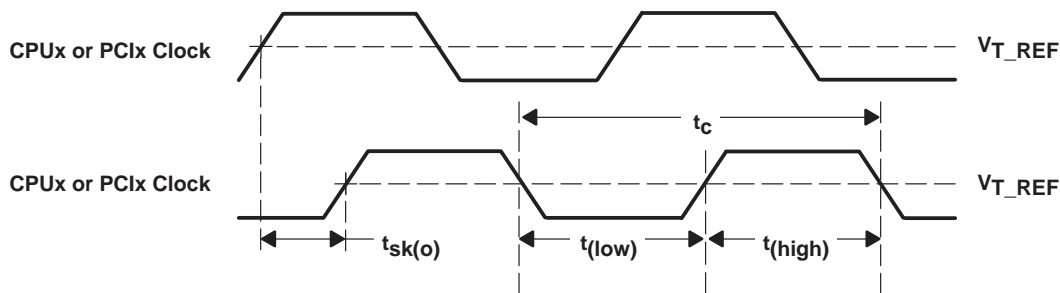
- NOTES:
- A. C<sub>L</sub> includes probe and jig capacitance. C<sub>L</sub> = 20 pF (CPUx, APICx, 48MHz, REF), C<sub>L</sub> = 30 pF (PCIx, 3V66)
  - B. Waveform 1 is for an output with internal conditions such that the output is low except when disabled by the output control. Waveform 2 is for an output with internal conditions such that the output is high except when disabled by the output control.
  - C. All input pulses are supplied by generators having the following characteristics: PRR ≤ 14.318 MHz, Z<sub>O</sub> = 50 Ω, t<sub>r</sub> ≤ 2.5 ns, t<sub>f</sub> ≤ 2.5 ns.
  - D. The outputs are measured one at a time with one transition per measurement.

PARAMETER		3.3-V INTERFACE	2.5-V INTERFACE	UNIT
VIH_REF	High-level reference voltage	2.4	2	V
VIL_REF	Low-level reference voltage	0.4	0.4	V
VT_REF	Input Threshold reference voltage	1.5	1.25	V
VO_REF	Off-state reference voltage	6	4.6	V

**Figure 3. Load Circuit and Voltage Waveforms**

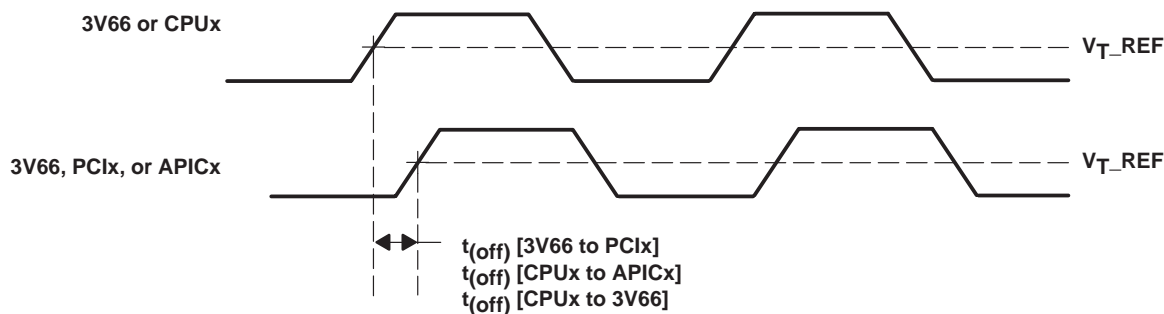


**PARAMETER MEASUREMENT INFORMATION**

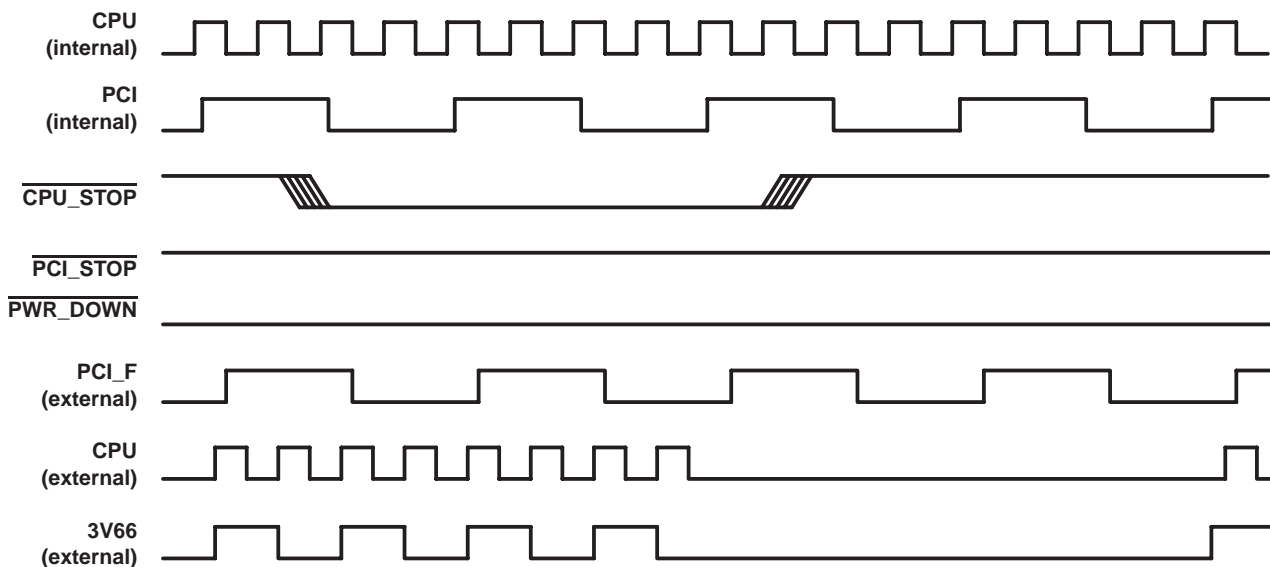


$$t_{sk(p)} = |t_{PLH} - t_{PHL}|$$

$$\text{Duty Cycle} = \frac{t_{(low \text{ or } high)}}{t_c} \times 100$$



**Figure 4. Waveforms for Calculation of Skew, Offset, and Jitter**

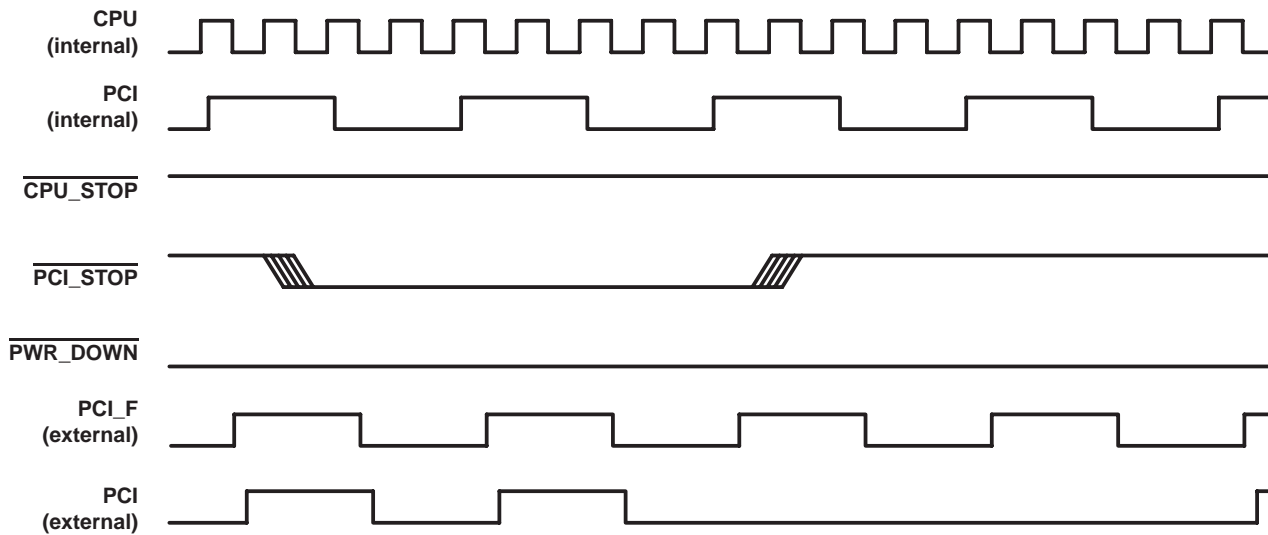


**Figure 5. CPU\_STOP Timing**

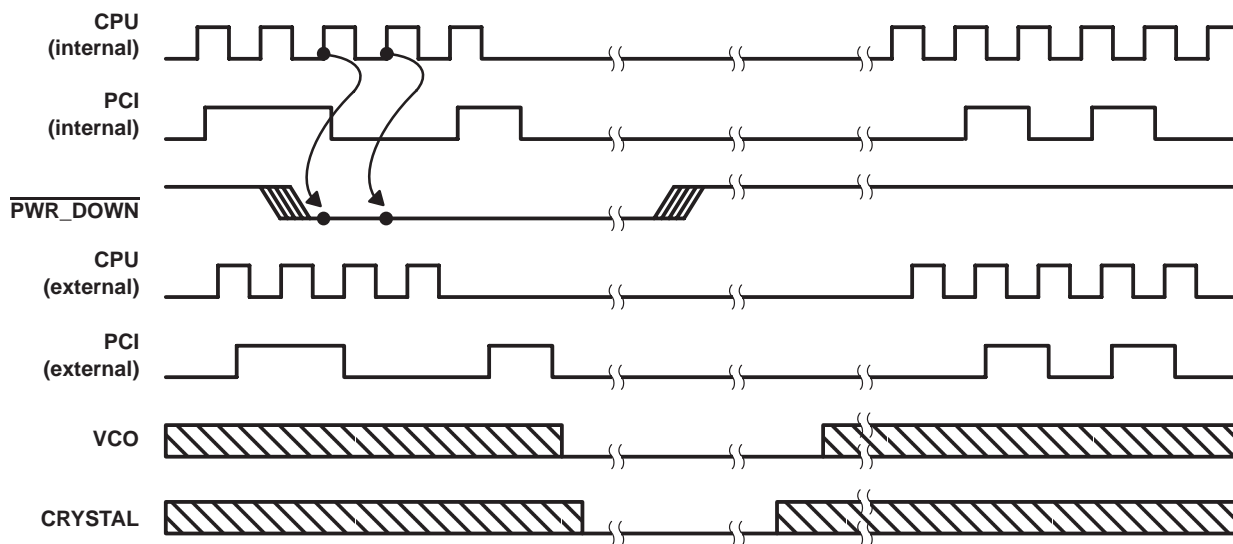
**CDC925**  
**133-MHz CLOCK SYNTHESIZER/DRIVER FOR PC MOTHERBOARDS**  
**WITH 3-STATE OUTPUTS**

SCAS633 – JULY 28, 1999

**PARAMETER MEASUREMENT INFORMATION**



**Figure 6. PCI\_STOP Timing**



NOTE A: Shaded sections on the VCO and Crystal waveforms indicate that the VCO and crystal oscillators are active and there is a valid clock.

**Figure 7. Power-Down Timing**



# CDC925 133-MHz CLOCK SYNTHESIZER/DRIVER FOR PC MOTHERBOARDS WITH 3-STATE OUTPUTS

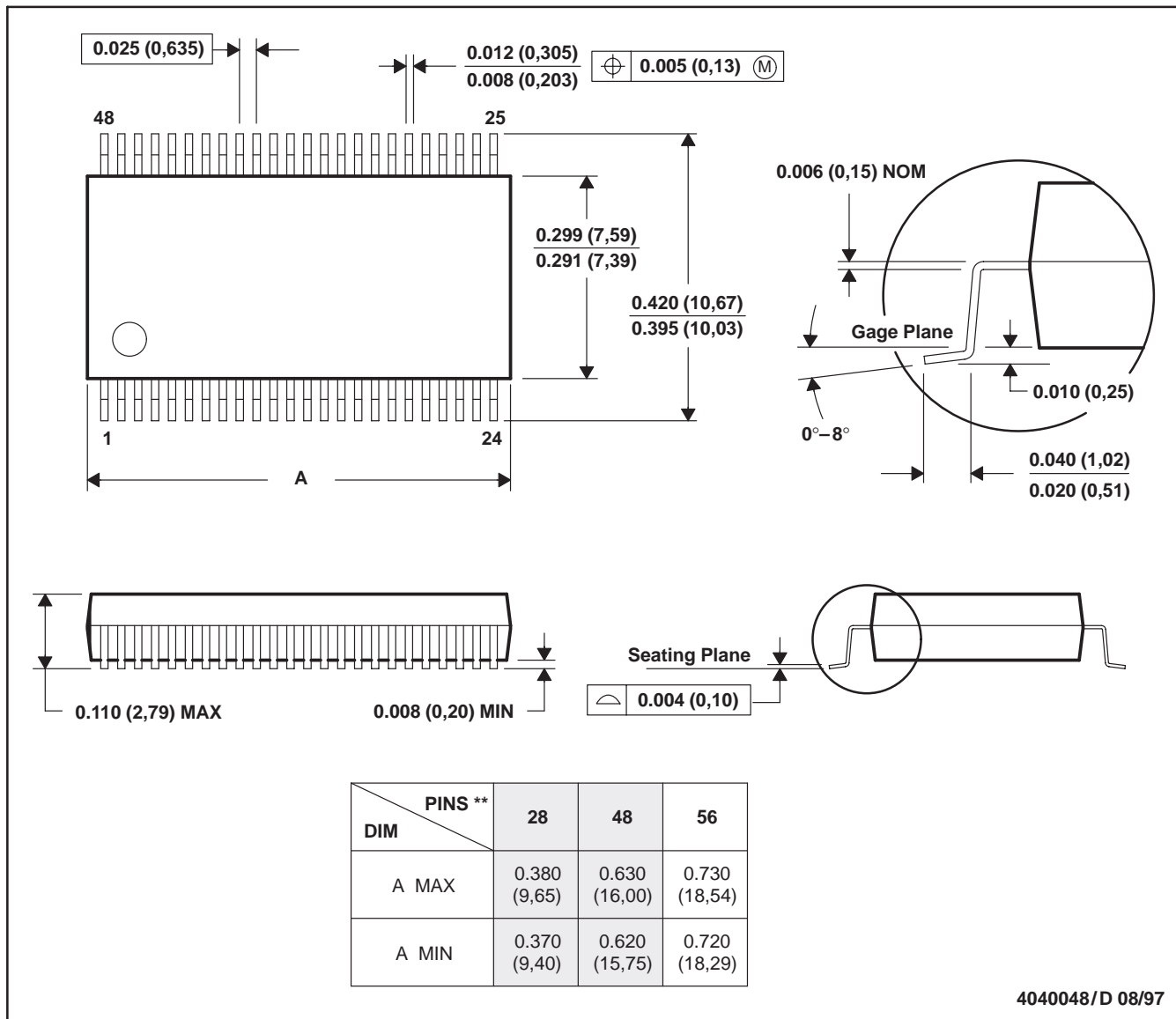
SCAS633 – JULY 28, 1999

## MECHANICAL DATA

DL (R-PDSO-G\*\*)

PLASTIC SMALL-OUTLINE PACKAGE

48-PIN SHOWN



- NOTES: B. All linear dimensions are in inches (millimeters).  
 C. This drawing is subject to change without notice.  
 D. Body dimensions do not include mold flash or protrusion not to exceed 0.006 (0,15).  
 E. Falls within JEDEC MO-118

**PACKAGING INFORMATION**

Orderable Device	Status <sup>(1)</sup>	Package Type	Package Drawing	Pins	Package Qty	Eco Plan <sup>(2)</sup>	Lead/Ball Finish	MSL Peak Temp <sup>(3)</sup>
CDC925DL	ACTIVE	SSOP	DL	56	20	Green (RoHS & no Sb/Br)	CU NIPDAU	Level-2-260C-1 YEAR
CDC925DLG4	ACTIVE	SSOP	DL	56	20	Green (RoHS & no Sb/Br)	CU NIPDAU	Level-2-260C-1 YEAR

<sup>(1)</sup> The marketing status values are defined as follows:

**ACTIVE:** Product device recommended for new designs.

**LIFEBUY:** TI has announced that the device will be discontinued, and a lifetime-buy period is in effect.

**NRND:** Not recommended for new designs. Device is in production to support existing customers, but TI does not recommend using this part in a new design.

**PREVIEW:** Device has been announced but is not in production. Samples may or may not be available.

**OBsolete:** TI has discontinued the production of the device.

<sup>(2)</sup> Eco Plan - The planned eco-friendly classification: Pb-Free (RoHS), Pb-Free (RoHS Exempt), or Green (RoHS & no Sb/Br) - please check <http://www.ti.com/productcontent> for the latest availability information and additional product content details.

**TBD:** The Pb-Free/Green conversion plan has not been defined.

**Pb-Free (RoHS):** TI's terms "Lead-Free" or "Pb-Free" mean semiconductor products that are compatible with the current RoHS requirements for all 6 substances, including the requirement that lead not exceed 0.1% by weight in homogeneous materials. Where designed to be soldered at high temperatures, TI Pb-Free products are suitable for use in specified lead-free processes.

**Pb-Free (RoHS Exempt):** This component has a RoHS exemption for either 1) lead-based flip-chip solder bumps used between the die and package, or 2) lead-based die adhesive used between the die and leadframe. The component is otherwise considered Pb-Free (RoHS compatible) as defined above.

**Green (RoHS & no Sb/Br):** TI defines "Green" to mean Pb-Free (RoHS compatible), and free of Bromine (Br) and Antimony (Sb) based flame retardants (Br or Sb do not exceed 0.1% by weight in homogeneous material)

<sup>(3)</sup> MSL, Peak Temp. -- The Moisture Sensitivity Level rating according to the JEDEC industry standard classifications, and peak solder temperature.

**Important Information and Disclaimer:**The information provided on this page represents TI's knowledge and belief as of the date that it is provided. TI bases its knowledge and belief on information provided by third parties, and makes no representation or warranty as to the accuracy of such information. Efforts are underway to better integrate information from third parties. TI has taken and continues to take reasonable steps to provide representative and accurate information but may not have conducted destructive testing or chemical analysis on incoming materials and chemicals. TI and TI suppliers consider certain information to be proprietary, and thus CAS numbers and other limited information may not be available for release.

In no event shall TI's liability arising out of such information exceed the total purchase price of the TI part(s) at issue in this document sold by TI to Customer on an annual basis.

## IMPORTANT NOTICE

Texas Instruments Incorporated and its subsidiaries (TI) reserve the right to make corrections, modifications, enhancements, improvements, and other changes to its products and services at any time and to discontinue any product or service without notice. Customers should obtain the latest relevant information before placing orders and should verify that such information is current and complete. All products are sold subject to TI's terms and conditions of sale supplied at the time of order acknowledgment.

TI warrants performance of its hardware products to the specifications applicable at the time of sale in accordance with TI's standard warranty. Testing and other quality control techniques are used to the extent TI deems necessary to support this warranty. Except where mandated by government requirements, testing of all parameters of each product is not necessarily performed.

TI assumes no liability for applications assistance or customer product design. Customers are responsible for their products and applications using TI components. To minimize the risks associated with customer products and applications, customers should provide adequate design and operating safeguards.

TI does not warrant or represent that any license, either express or implied, is granted under any TI patent right, copyright, mask work right, or other TI intellectual property right relating to any combination, machine, or process in which TI products or services are used. Information published by TI regarding third-party products or services does not constitute a license from TI to use such products or services or a warranty or endorsement thereof. Use of such information may require a license from a third party under the patents or other intellectual property of the third party, or a license from TI under the patents or other intellectual property of TI.

Reproduction of TI information in TI data books or data sheets is permissible only if reproduction is without alteration and is accompanied by all associated warranties, conditions, limitations, and notices. Reproduction of this information with alteration is an unfair and deceptive business practice. TI is not responsible or liable for such altered documentation. Information of third parties may be subject to additional restrictions.

Resale of TI products or services with statements different from or beyond the parameters stated by TI for that product or service voids all express and any implied warranties for the associated TI product or service and is an unfair and deceptive business practice. TI is not responsible or liable for any such statements.

TI products are not authorized for use in safety-critical applications (such as life support) where a failure of the TI product would reasonably be expected to cause severe personal injury or death, unless officers of the parties have executed an agreement specifically governing such use. Buyers represent that they have all necessary expertise in the safety and regulatory ramifications of their applications, and acknowledge and agree that they are solely responsible for all legal, regulatory and safety-related requirements concerning their products and any use of TI products in such safety-critical applications, notwithstanding any applications-related information or support that may be provided by TI. Further, Buyers must fully indemnify TI and its representatives against any damages arising out of the use of TI products in such safety-critical applications.

TI products are neither designed nor intended for use in military/aerospace applications or environments unless the TI products are specifically designated by TI as military-grade or "enhanced plastic." Only products designated by TI as military-grade meet military specifications. Buyers acknowledge and agree that any such use of TI products which TI has not designated as military-grade is solely at the Buyer's risk, and that they are solely responsible for compliance with all legal and regulatory requirements in connection with such use.

TI products are neither designed nor intended for use in automotive applications or environments unless the specific TI products are designated by TI as compliant with ISO/TS 16949 requirements. Buyers acknowledge and agree that, if they use any non-designated products in automotive applications, TI will not be responsible for any failure to meet such requirements.

Following are URLs where you can obtain information on other Texas Instruments products and application solutions:

### Products

Amplifiers	<a href="http://amplifier.ti.com">amplifier.ti.com</a>
Data Converters	<a href="http://dataconverter.ti.com">dataconverter.ti.com</a>
DSP	<a href="http://dsp.ti.com">dsp.ti.com</a>
Clocks and Timers	<a href="http://www.ti.com/clocks">www.ti.com/clocks</a>
Interface	<a href="http://interface.ti.com">interface.ti.com</a>
Logic	<a href="http://logic.ti.com">logic.ti.com</a>
Power Mgmt	<a href="http://power.ti.com">power.ti.com</a>
Microcontrollers	<a href="http://microcontroller.ti.com">microcontroller.ti.com</a>
RFID	<a href="http://www.ti-rfid.com">www.ti-rfid.com</a>
RF/IF and ZigBee® Solutions	<a href="http://www.ti.com/lprf">www.ti.com/lprf</a>

### Applications

Audio	<a href="http://www.ti.com/audio">www.ti.com/audio</a>
Automotive	<a href="http://www.ti.com/automotive">www.ti.com/automotive</a>
Broadband	<a href="http://www.ti.com/broadband">www.ti.com/broadband</a>
Digital Control	<a href="http://www.ti.com/digitalcontrol">www.ti.com/digitalcontrol</a>
Medical	<a href="http://www.ti.com/medical">www.ti.com/medical</a>
Military	<a href="http://www.ti.com/military">www.ti.com/military</a>
Optical Networking	<a href="http://www.ti.com/opticalnetwork">www.ti.com/opticalnetwork</a>
Security	<a href="http://www.ti.com/security">www.ti.com/security</a>
Telephony	<a href="http://www.ti.com/telephony">www.ti.com/telephony</a>
Video & Imaging	<a href="http://www.ti.com/video">www.ti.com/video</a>
Wireless	<a href="http://www.ti.com/wireless">www.ti.com/wireless</a>

Mailing Address: Texas Instruments, Post Office Box 655303, Dallas, Texas 75265  
Copyright © 2008, Texas Instruments Incorporated